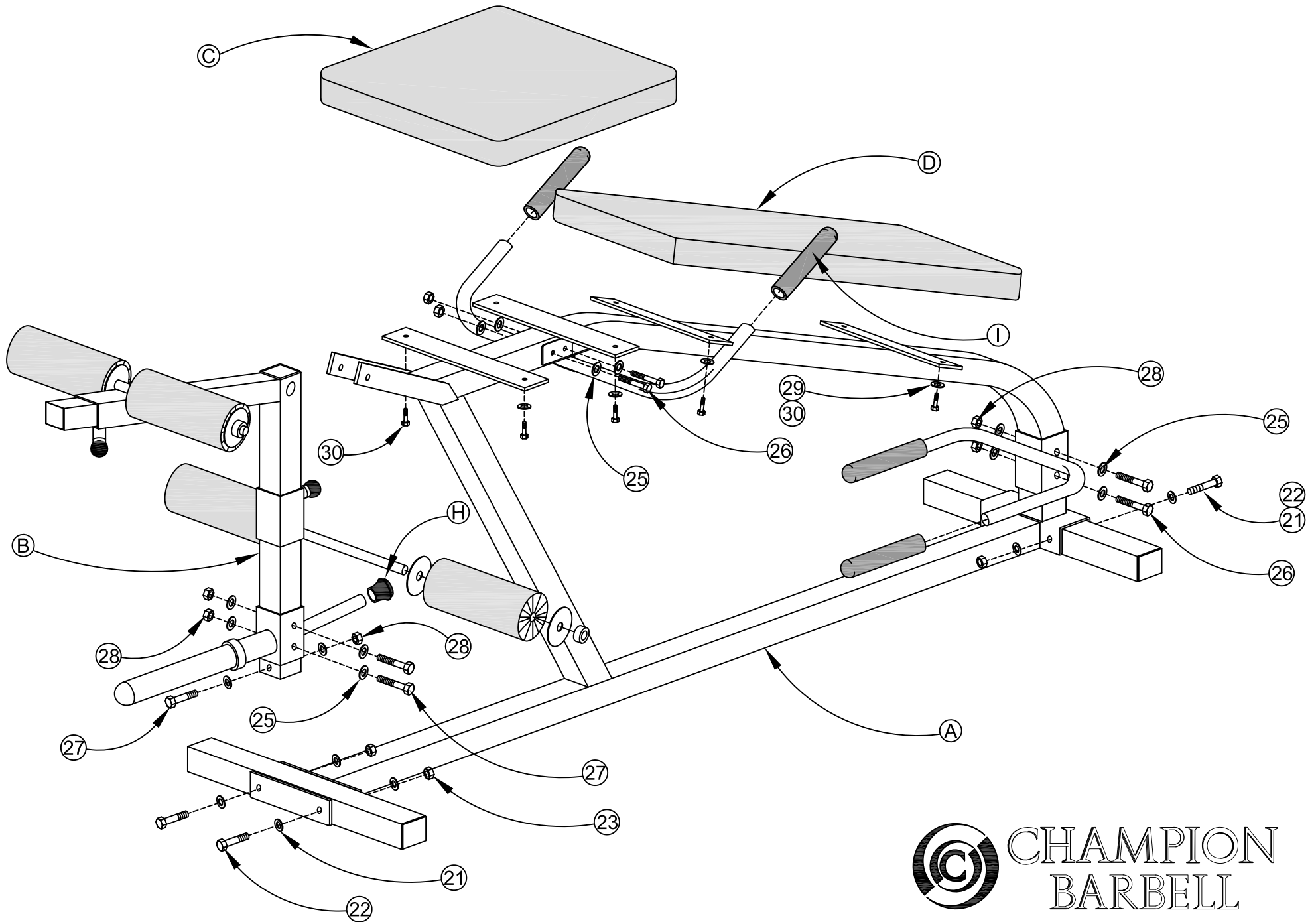
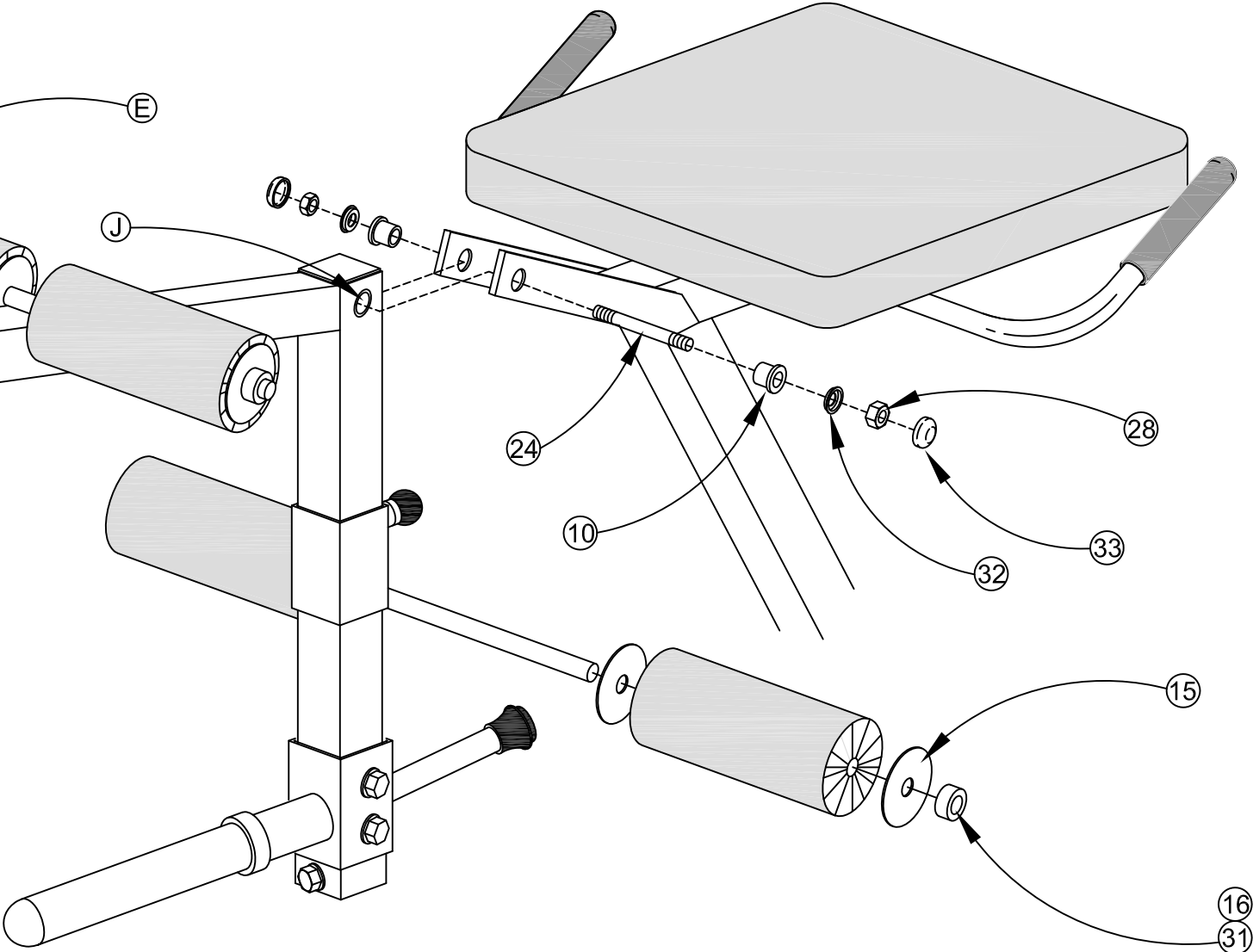


# LEG EXTENSION BENCH W/SPLIT PADS 8131



# LEG EXTENSION BENCH W/SPLIT PADS 8131



ITEM	DESCRIPTION	QTY
A	FRAME	1 EA
B	LEG EXTENSION	1 EA
C	SEAT PAD	1 EA
D	BENCH PAD	1 EA
E	BOOTIE	2 SETS
H	CRUTCH TIP	1 EA
I	HAND GRIP	4 EA
J	ROLL BEARING	2 EA
#10	BUSHING M10	2 EA
#15	STEEL DISK	8 EA
#16	SET SCREWS (NOT SHOWN)	4 EA
#21	FLAT WASHER M12	8 EA
#22	HEX BOLT M12 X 75	4 EA
#23	NYLON HEX NUT M12	4 EA
#24	SHAFT M10	1 EA
#25	FLAT WASHER M10	14 EA
#26	HEX BOLT M10 X 70	4 EA
#27	HEX BOLT M10 X 65	3 EA
#28	NYLON HEX NUT M10	9 EA
#29	FLAT WASHER M8	8 EA
#30	HEX BOLT M8 X 30	8 EA
#31	SHAFT COLLAR	4 EA
#32	FINISH CAP WASHER M10	2 EA
#33	FINISH CAP	2 EA
#34	ALLEN WRENCH (NOT SHOWN)	1 EA

